

Mitsubishi Servo Migration Kits: MR-J2/J2S to MR-J4

Upgrade Your Legacy Servo Systems with Pre-Packaged Migration Kits

Many production lines still rely on MR-J2 and MR-J2S servo systems, discontinued over a decade ago. Replacements from resellers carry risks, unexpected downtime, and costly failures.

Tri-Phase Automation simplifies the upgrade with complete pre-packaged A-Type and B-Type kits. Each includes everything you need — amplifiers, conversion cables, and adapters — so you can upgrade quickly, reliably, and without searching for parts.



MR-J2S



MR-J4



Pre-packaged Convenience

Everything included under one part number for simplified ordering.



Conversion Cables Included

Maintain your existing wiring and reduce installation errors.



Exact Fit & Mounting Compatibility

Drop-in replacements match old unit dimensions.



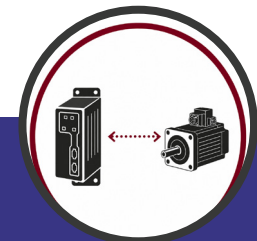
Expert Support

Guidance for parameter conversion, startup, and troubleshooting



Fast, Reliable Upgrades

Pre-configured kits and parameter conversion tools minimize downtime.



Flexible Motor & Amplifier Options

Amplifiers can be replaced on their own. Motors must always be replaced together with their amplifier.

A-Type and B-Type Amplifier Pre-Packaged Migration Kits Made Simple

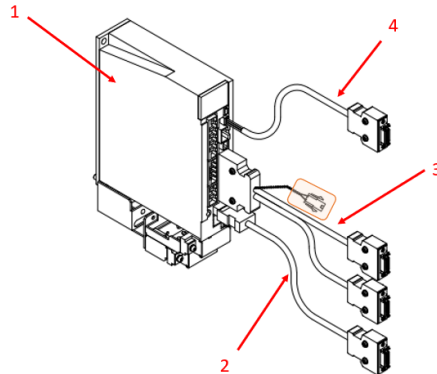
Everything You Need for a Smooth MR-J4 Migration

► A-Type Amplifier Kit: MR-J4-A

- **Use Your Existing Wiring** – No rerouting required; saves time, reduces errors, and keeps production online.
- **Parameter Conversion Included** – Pre-configured MR-J2/J2S to MR-J4 settings ensure a fast, reliable startup.
- **Drop-In Compatibility** – Matches MR-J2/J2S size and mounting for easy installation and minimal downtime.

Kit Contents

1. Servo Amplifier
2. Encoder Conversion Cable
3. I/O Conversion Cable (I/O cable require external 24VDC)
4. Monitor Conversion Cable



Migration Summary

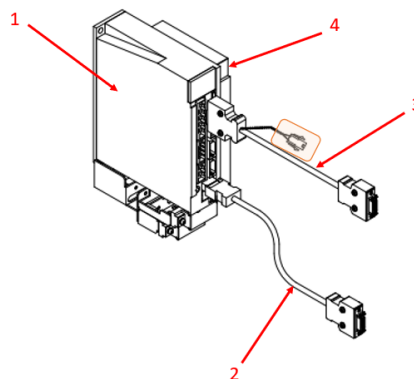
1. Upload parameters from old amplifier
2. Replace old amplifier with new amplifier in the cabinet
3. Connect existing cables to new conversion cables
4. Download converted parameters to new amplifier
5. Power up amplifier
6. Ready for operation

► B-Type Amplifier Kit: MR-J4-B

- **No Program Changes Required** – MR-J4-B comes pre-configured in MR-J2S mode for immediate operation.
- **Pre-Configured for MR-J2S Compatibility** – Maintains existing motion profiles, safety limits, and operational settings.
- **Quick Swap with Minimal Downtime** – Drop-in design and conversion modules allow fast replacement while keeping production running smoothly.

Kit Contents

1. Servo Amplifier
2. Encoder Conversion Cable
3. I/O Conversion Cable (I/O cable require external 24VDC)
4. Network Conversion Module



Migration Summary

1. Attach SSCNET adapter module to the side of the new amplifier
2. Replace old amplifier with new amplifier in the cabinet
3. Connect existing cables to new conversion cables
4. Power up amplifier
5. Ready for operation

